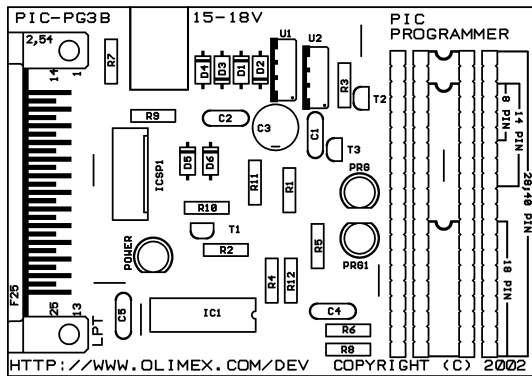


PIC-PG3B PARALLEL PORT PIC MICROCONTROLLER PROGRAMMER

Features:

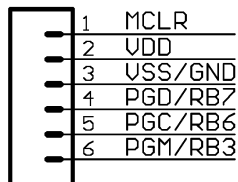
PIC-PG3B is low cost parallel port programmer for PIC microcontrollers based on David Tait's parallel port design. . To operate PIC-PG3 needs external power supply 12-15VAC or 16-18VDC. PIC-PG3 supports all 8/18/28 and 40 pin PIC microcontrollers, which allow serial programming. The old PIC16C5X microcontrollers are not supported. The programmer have ICSP connector and cable. GREEN LED indicates that power supply is applied. PRG and PRG1 red LEDs indicate that device is being programmed



ICD/ICSP connector layout:

The ICD/ICSP connector is 6 pin with 0,1" step. The PIN.1 is marked with square pad on bottom and arrow on top. ICSP signals are: 1- MCLR, 2- VDD, 3- VSS/GND, 4- PGD/RB7, 5- PGC/RB6, 6- PGM/RB3.

PIC-ICSP/ICD



ICSP programming:

Please note that in your target circuit MCLR should be not directly connected to VCC, as programmer try to rise MCLR to 13VDC to enter in programming mode. If MCRL on target board is connected to VCC and you attempt to do ICSP programming you may destroy PIC-PG3B programmer.

Programming:

PIC-PG3B works with all software, which support D.Tait's design. Most popular package is the Bojan Dobaj shareware program, which may be download from <http://www.picallw.com> Another FREE software is Nigel Goodwin's PicProg which supports only PIC16F87X, PIC16F62X and PIC16F8x series PIC microcontrollers. You can download it from <http://www.lpilslev.uklinux.net/software.htm>

LPT port warning:

Please note that the programmer is controlled by the LPT printer port. If you leave microcontroller is the powered programmer and there is attempt for PRINTING from any program your PIC microcontroller will be damaged! Apply power supply to PIC-PG3B only after you start the programming software.

LPT interface:

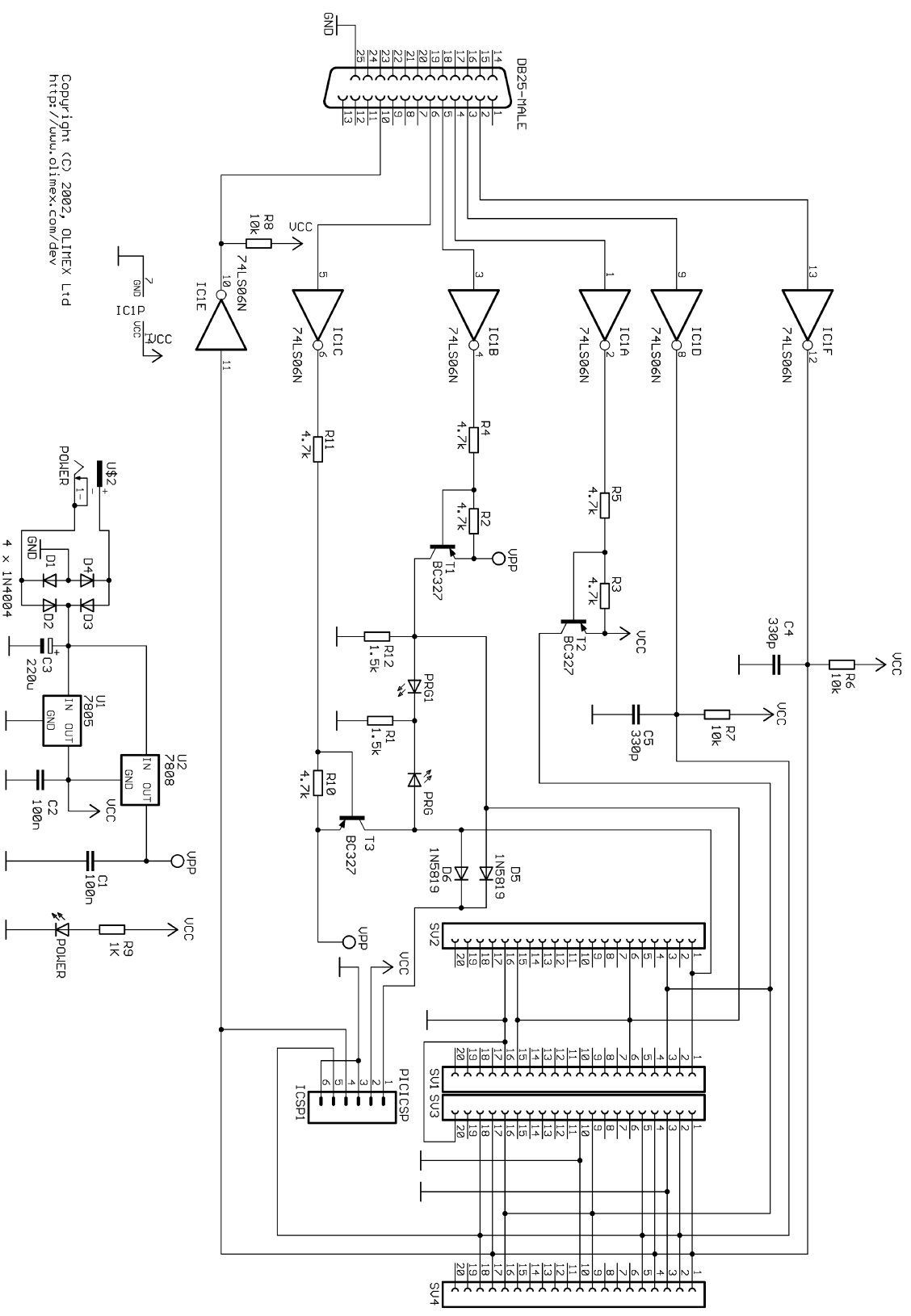
Pin.2 - DD0; Pin.3 - DD1; Pin.4 - DD2; Pin.5 - DD3; Pin.6 - DD4; Pin.10 - ACK; Pin.18-25 - GND

Supported devices:

All serial programmed PIC microcontrollers

Ordering codes:

PIC-PG3B - assembled and tested



Copyright (C) 2002, OLIMEX Ltd
<http://www.olimex.com/dev>